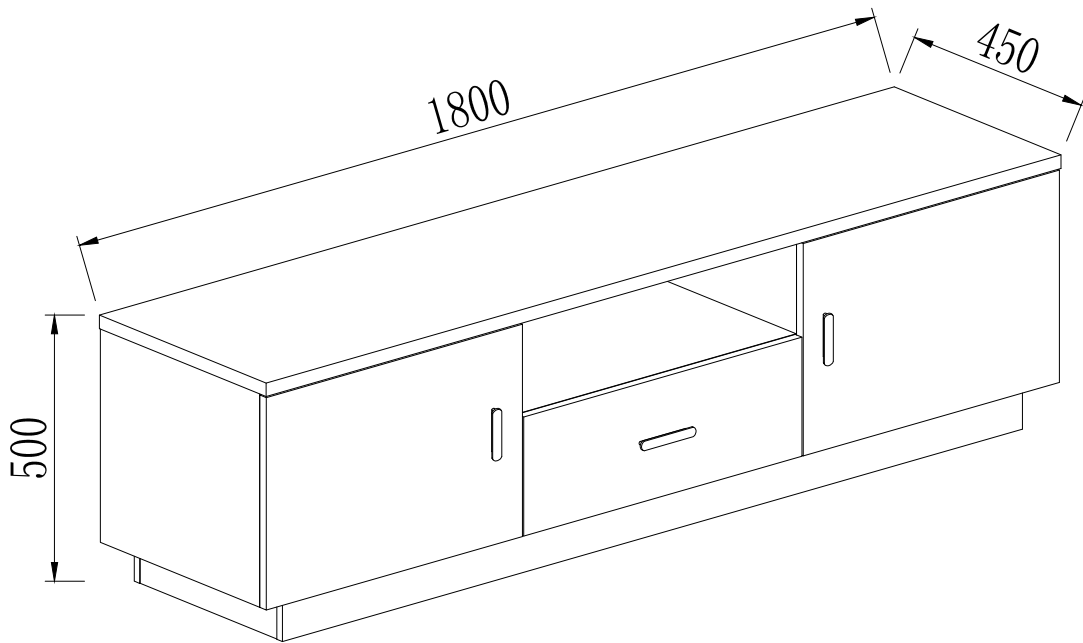




**ASSEMBLY INSTRUCTION
KERID ENTERTAINMENT UNIT
ITEM CODE 86756**



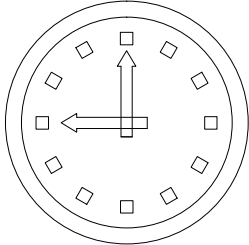
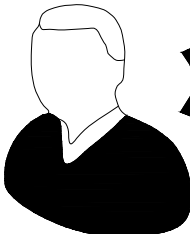

Imported by Amart Furniture Pty Ltd. Qld. Brisbane Australia.


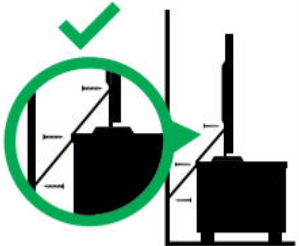
For any assistance with assembly or for missing parts please phone Amart Furniture Customer Service Free call 1800 351 084

PRE-ASSEMBLY PREPARATION

Before you start:

1. Choose a clean, level, spacious assembly area. Avoid hard surfaces that may damage the product
2. Take care when lifting. Product should be assembled as near as possible to the point of use
3. Ensure that you have all required contents for complete assembly.
4. Always read the assembly instructions carefully before beginning assembly.
5. Keep all hardware parts and packaging out of reach of small children.
6. Do not over tighten the screws and bolts as this may damage the threads

 <p>ALLOW 45 MINUTES</p>	 <p>x 2</p> <p>2 PEOPLE REQUIRED</p>
 <p>⊕</p> <p>ADDITIONAL TOOLS REQUIRED</p>	

⚠ WARNING		
		<p>Children have died from furniture tipover.</p> <ul style="list-style-type: none">• NEVER allow children to stand, climb or hang on drawers, doors, or shelves.• ALWAYS secure your television with an anchor device or mount the television on a wall. <p>This is a permanent label. Do not remove!</p>

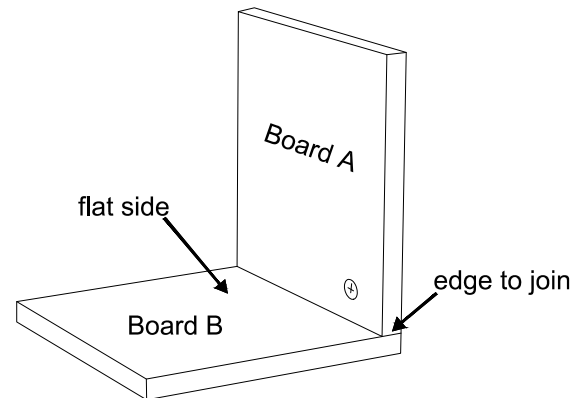
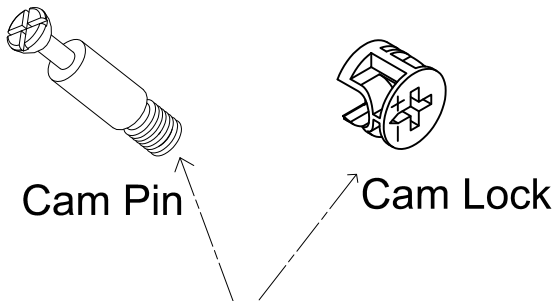
CAM Lock and Pins

step 1

HOW TO USE CAM LOCK FASTENERS

To assemble this product hardware called Cam Lock Fasteners are used. The below is information on how these work.

Cam Locks are fasteners used to join two boards together, usually the edge of one board(A) to the flat side of another board(B)



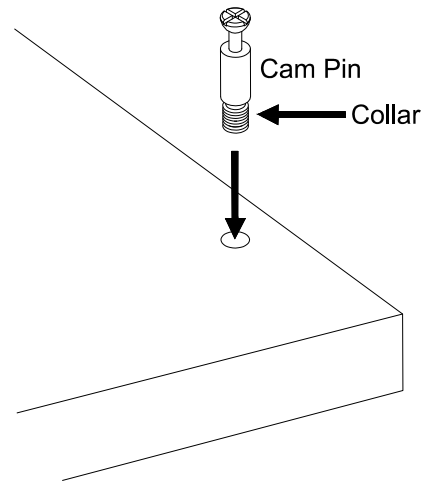
Ensure that you use the correct images that are representative of the hardware used in the product

step 2

To use Cam Lock Fasteners

The Cam Pin is inserted into the flat side of a board, it is important that:

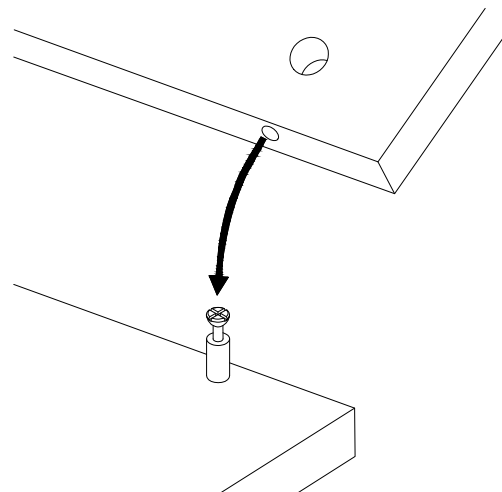
- * The cam pin is kept vertical and is not put in on an angle
- * Cam Pin is inserted up to the collar
 - * Too far and it wont catch the Cam Lock (Do not Over Tighten)
 - * Not enough and the resulting product wont be stable



step 3

To use Cam Lock Fasteners

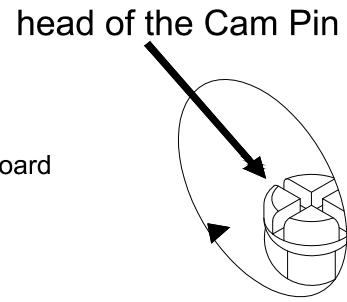
Now fit the hole in the edge of the joining board over the Cam Pin



step 4

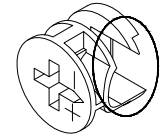
To use Cam Lock Fasteners

The Head of the Cam Pin will be visible in the large hole on the side of the joining board



To use Cam Lock Fasteners

Notice the Cam Lock has a "C" Shaped back An Arrow or +/- signs on the front, indicated the open section on the back of the Cam Pin

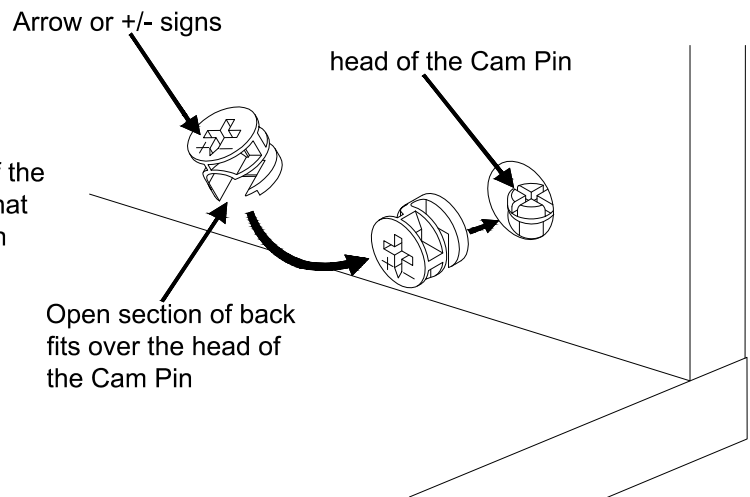


Cam Lock

step 5

To use Cam Lock Fasteners

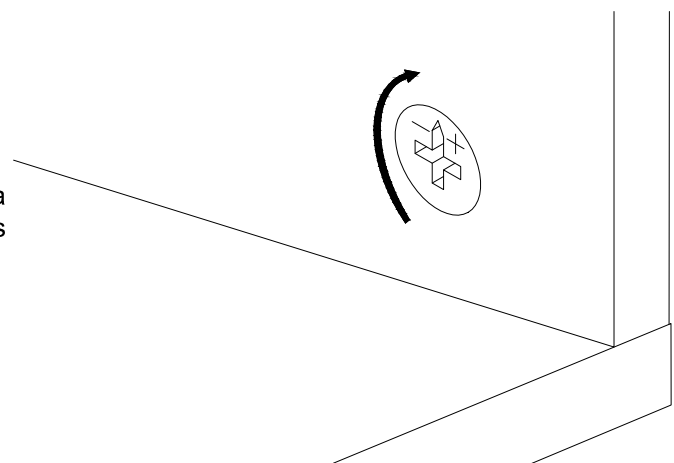
In sert the Cam Lock into the large hole so the opening of the "C" fits over the head of the Cam Pin. You must ensure that the Cam Lock is pushed to the bottom of the hole to catch the top of the Cam Pin



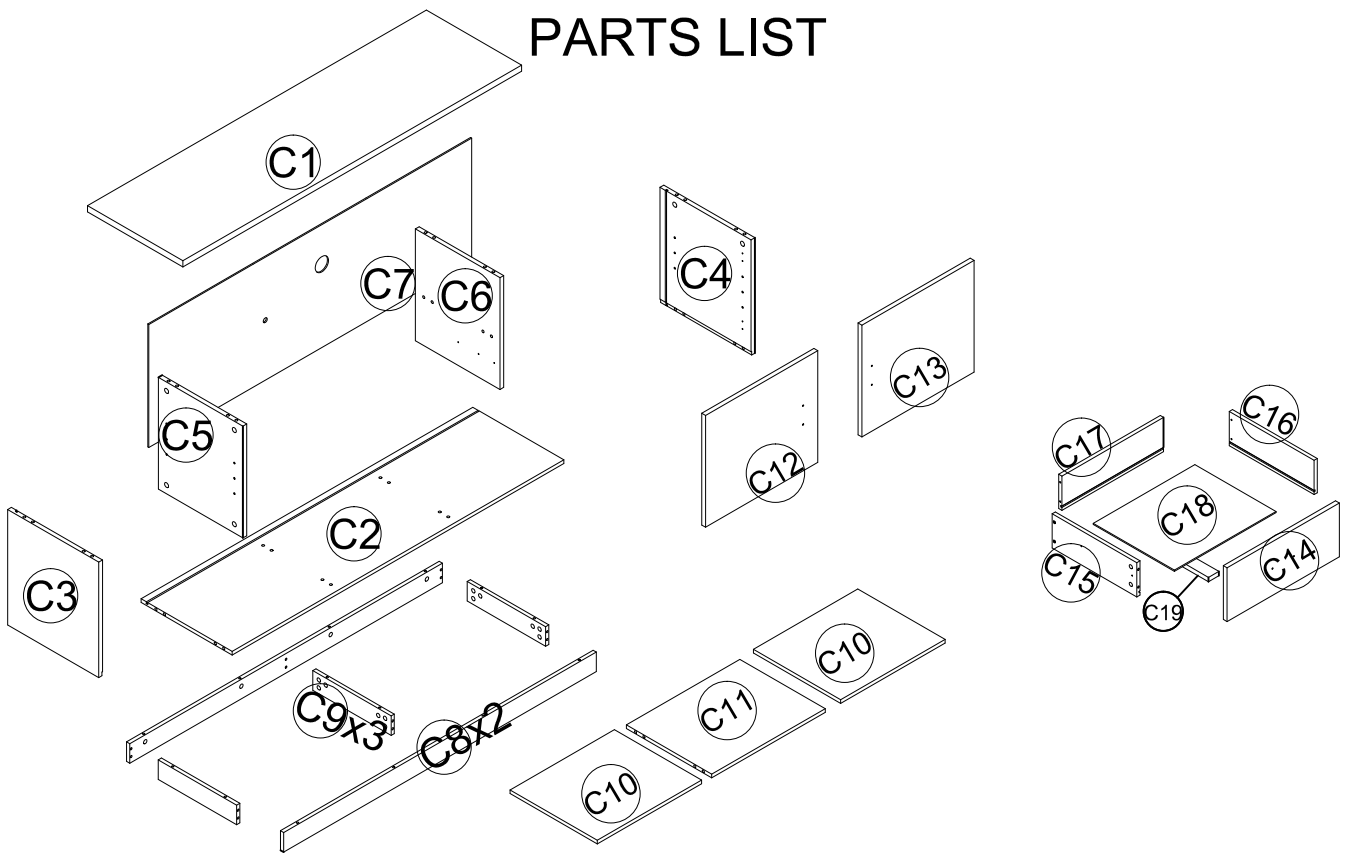
step 6

To use Cam Lock Fasteners


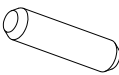
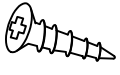


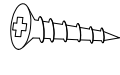

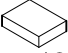

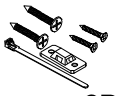



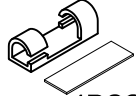
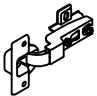
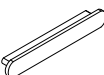

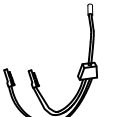
Use a flat screwdriver to turn the Cam Lock clockwise one half a turn so it Locks onto the head of the Cam Pin. Turn only until it is snug-over-tightening could cause the Cam to bend or break. If it will not turn the full amount, turn the Cam Pin out (counter-clockwise) one full turn, and try the Cam Lock again.



PARTS LIST



C1	Top Panel	C11	Shelf panel
C2	Bottom Panel	C12	Door panel
C3	Left Side Panel	C13	Door panel
C4	Right Side Panel	C14	Drawer Front Panel
C5	Left middle partition	C15	Drawer Left Side Panel
C6	Right middle partition	C16	Drawer Right Side Pane
C7X2	Back Panel	C17	Drawer Back Panel
C8X2	Leg	C18	Drawer Bottom Panel
C9X3	Leg	C19	Drawer Bottom Support Panel
C10X2	Shelf panel		

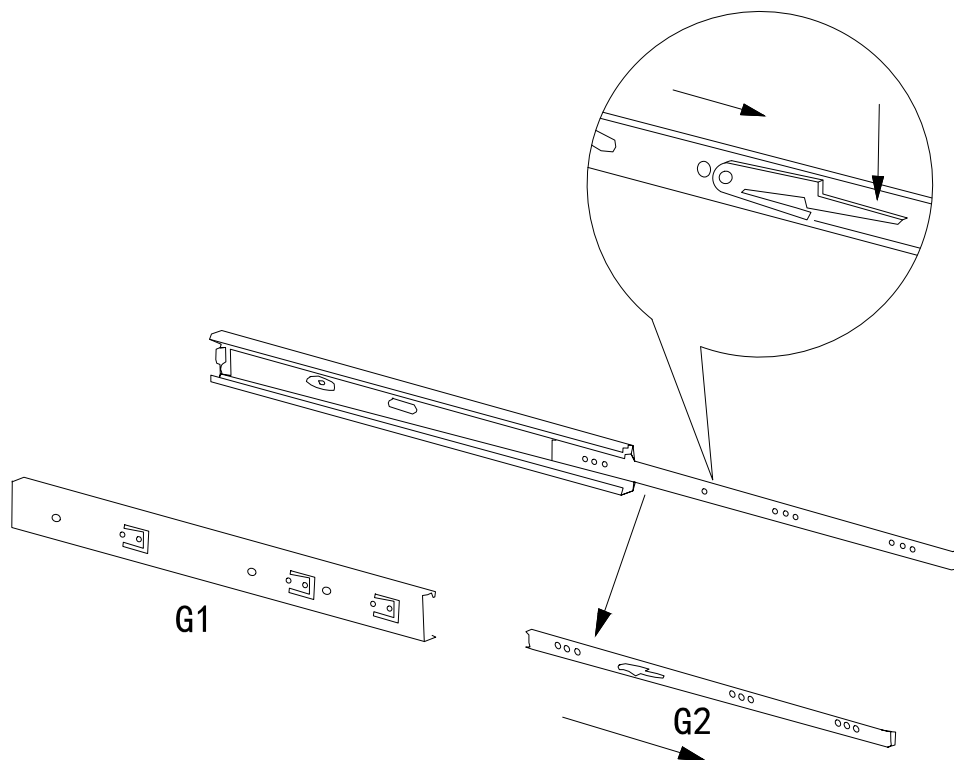
A. Cam lock and Cam pin Ø15X35  51PCS	B. Dowel Ø8x30  20PCS	C. Screw Ø3.5x12  12PCS	D. Screw Ø3.5x30  6PCS	E. Connector 18x16x10  6PCS	F. Screw Ø3x18  6PCS	G. Runner  2PCS
H. Protect foam 20x14x5mm  12PCS	I. GLUE  1PCE	J. Safety Bracket Kit  2PCS	K. Screw Ø4x14  24PCS	L.  8PCS	M. Screw Ø4x22  6PCS	N. Clip&Sticker  4PCS
O. Hinge  4PCS	P.  3PCS	Q.  1PCS	R.  1PCS			

86756

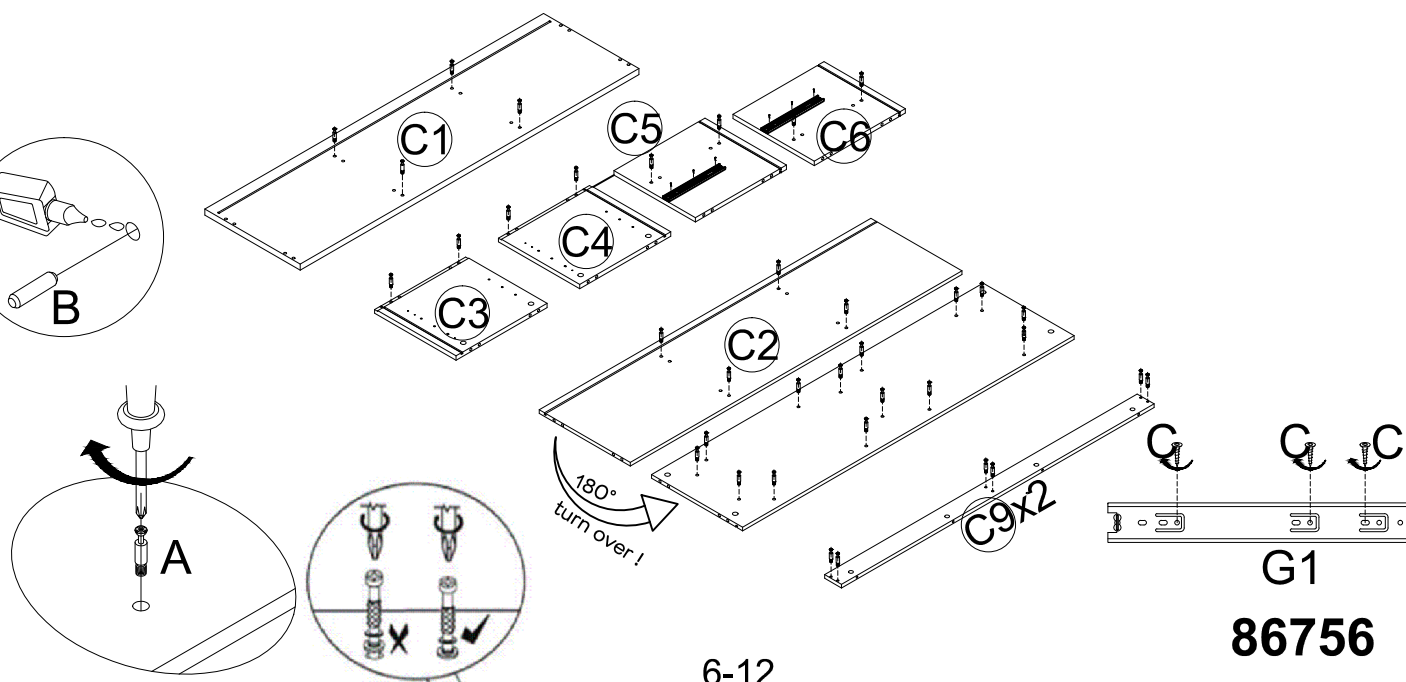
STEP 1:

Runner slide separately ($G=G1+G2$)

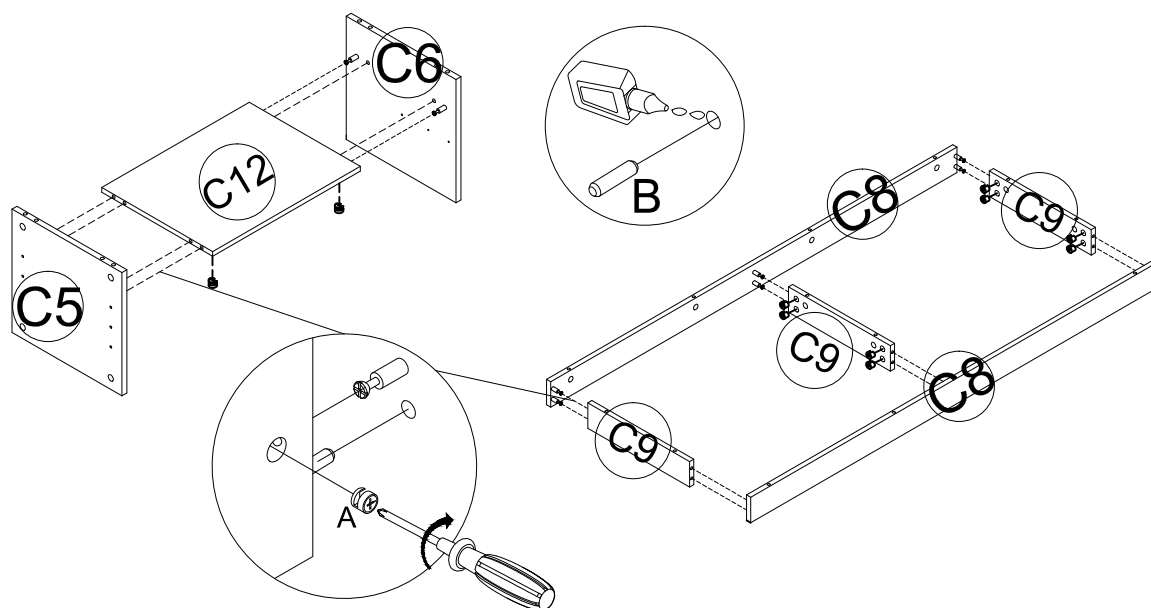
Carefully pull out the runner slide ($G2$) and press plastic clip to fully separate runner slide as diagram shown



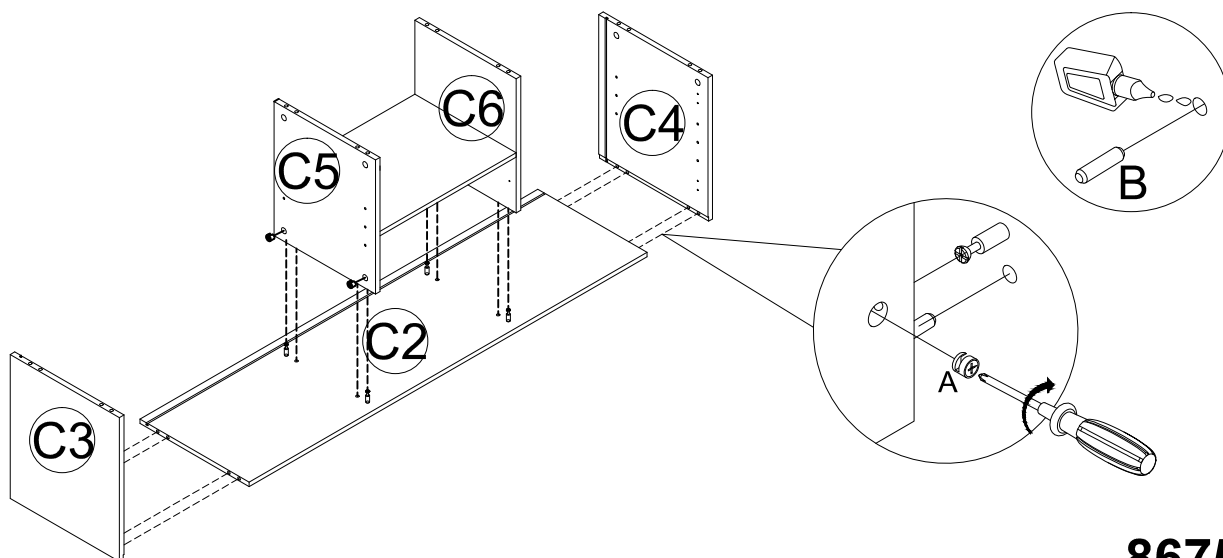
STEP 2: Use a Phillips Head Screwdriver to attach Cam Pin(A) to the Panel(C1,C2,C3,C4,C5,C6,C9). Use a Phillips Head Screwdriver to attach Dowel (B) to the Panel(C1,C2,C3,C4,C5,C6). attached Runner(G1) to the Panel(C5,C6) with Screw(C).



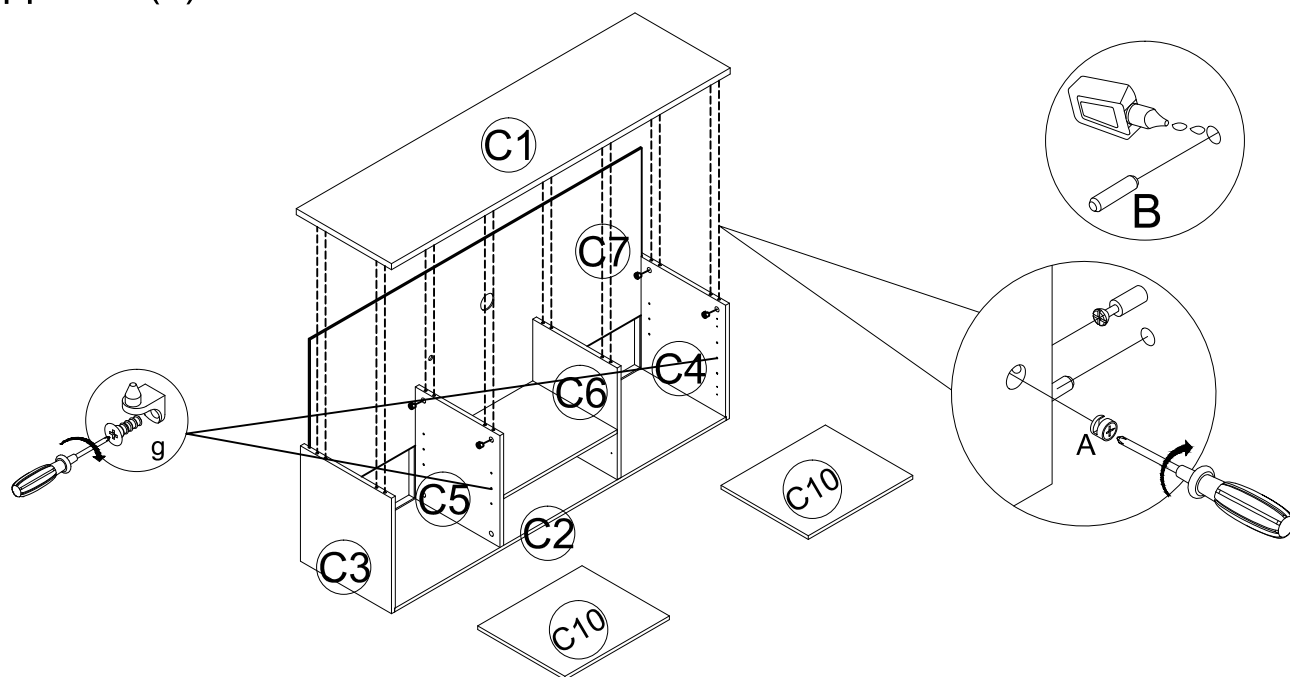
STEP 3: Attach Support Panel(C5&C6) to Shelf Panel(C12).And turn Cam lock(A) to lock into the head of Cam Pin(A).Use a Phillips Head Screwdriver to assemble Panel (C8) to the Panel(C9) with Cam Lock(A).



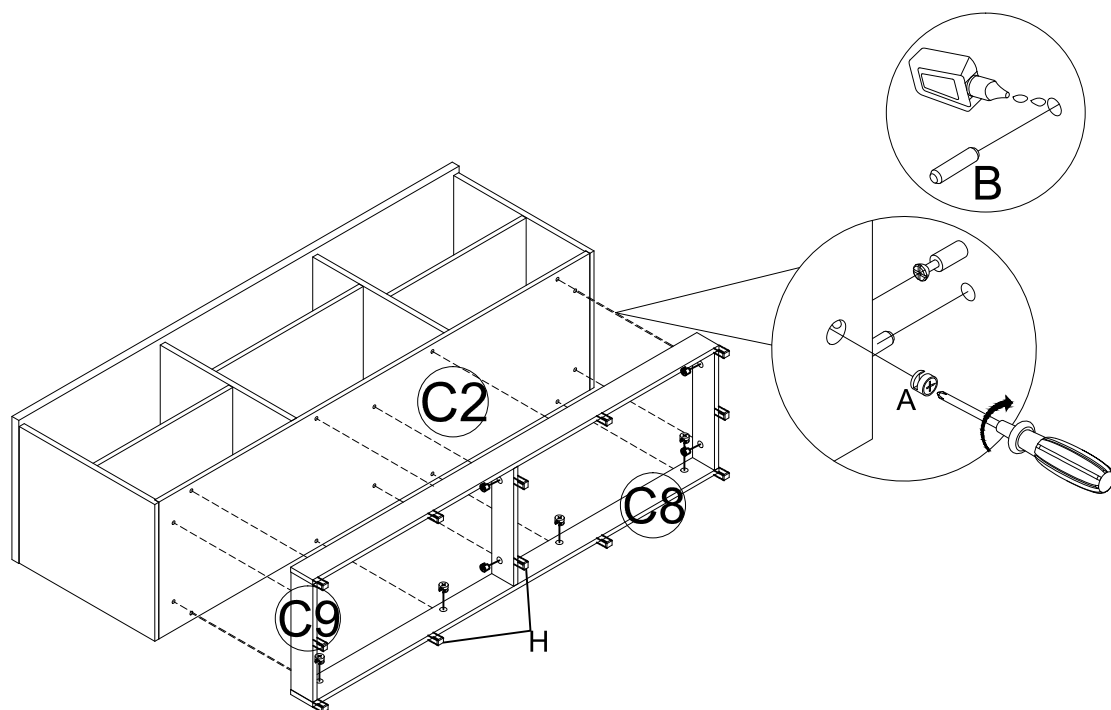
STEP 4: Attach Support Panel(C3&C4&C5&C6) to Shelf Panel(C2).And turn Cam lock(A) to lock into the head of Cam Pin(A).



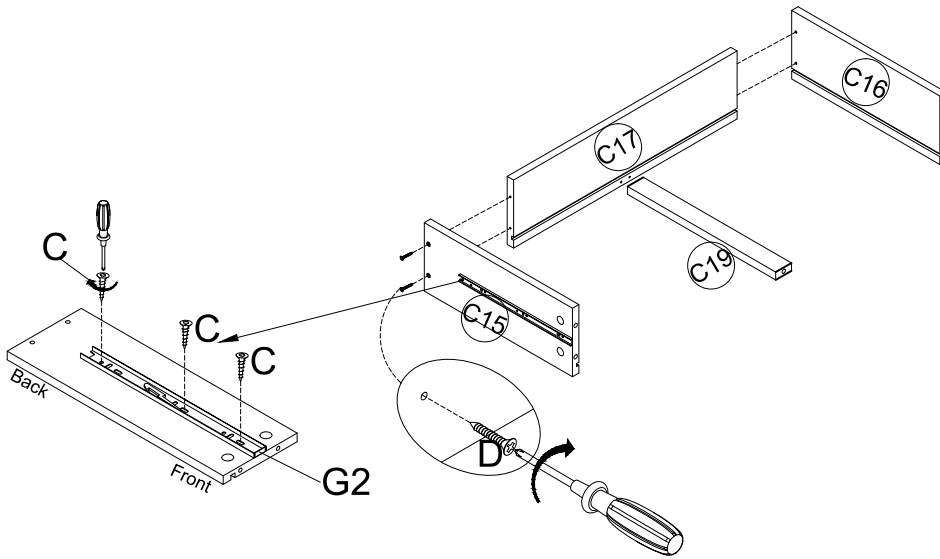
STEP 5: Insert the Back Panel(C7) to the Groove. Attach Support Panel(C1) to Shelf Panel(C3&C4&C5&C6).And turn Cam lock(A) to lock into the head of Cam Pin(A). Use Phillips Head Screwdriver to attach the Shelf Supportor(L) to Panel(C3&C4&C5&C6).Insert the Shelf Panel (C10)to the Supportor (L).



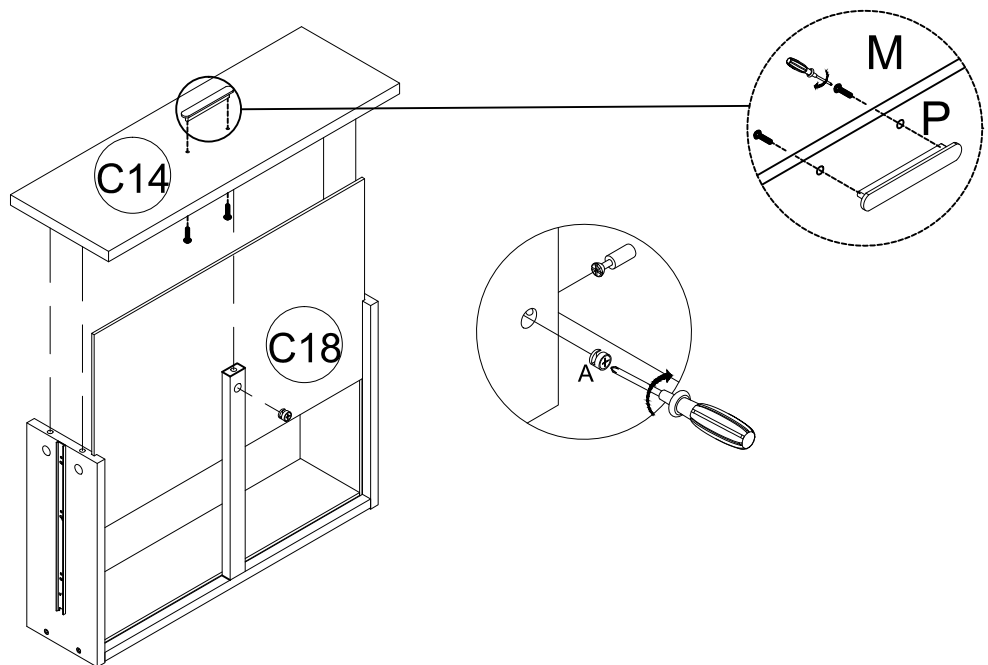
STEP 6: Use a Phillips Head Screwdriver to assemble Panel (C8,C9) to the Panel(C2) with Cam Lock(A).Stick Protest Foam(H) to the Panel(C8,C9).



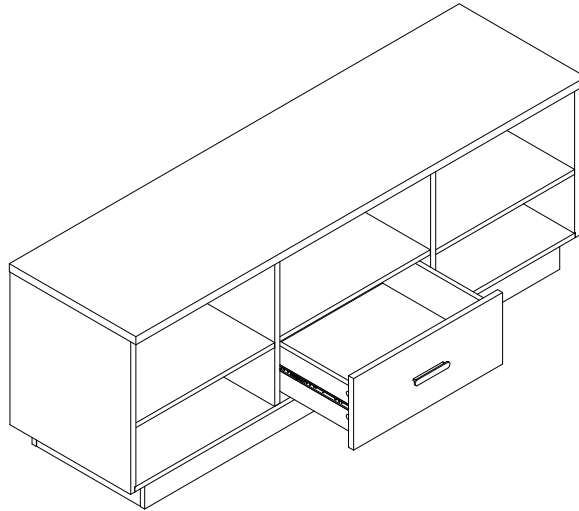
STEP 7: Use a Phillips Head Screwdriver to attach Runner(G2)to the Panel(C15,C16) with Screw(C).assemble Panel(C15,C16,C19) to the Drawer Back Panel(C17) withScrew(D)



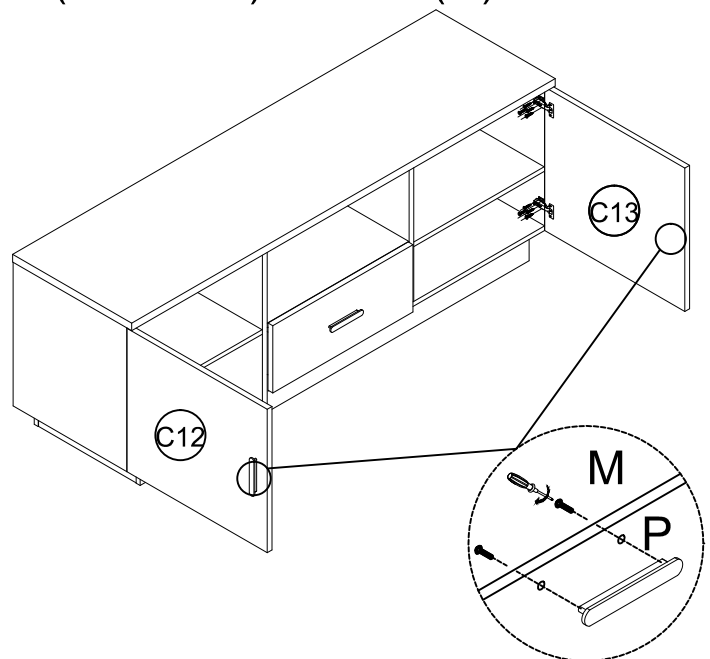
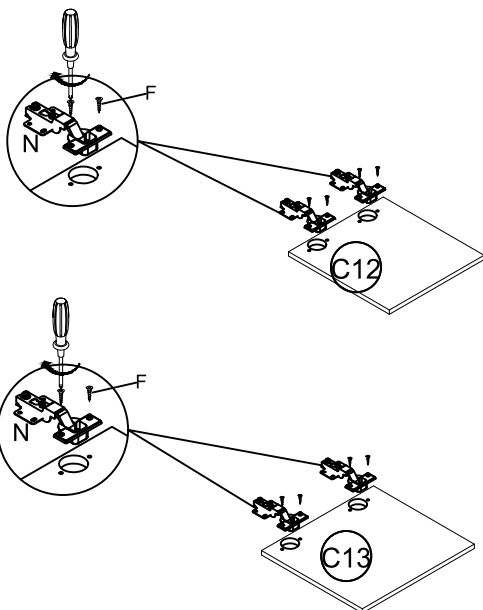
STEP 8: Insert the Drawer Bottom Panel(C18) to the groove,Use a PhillipsHead Screwdriver to assemble Panel(C15,C16,C19) to the Drawer Front Panel(C14) with Cam Lock(A).Attached Handle(P) to the Drawer Front Panel(C14) with Bolt(M)



STEP 9: insert the drawers into the body

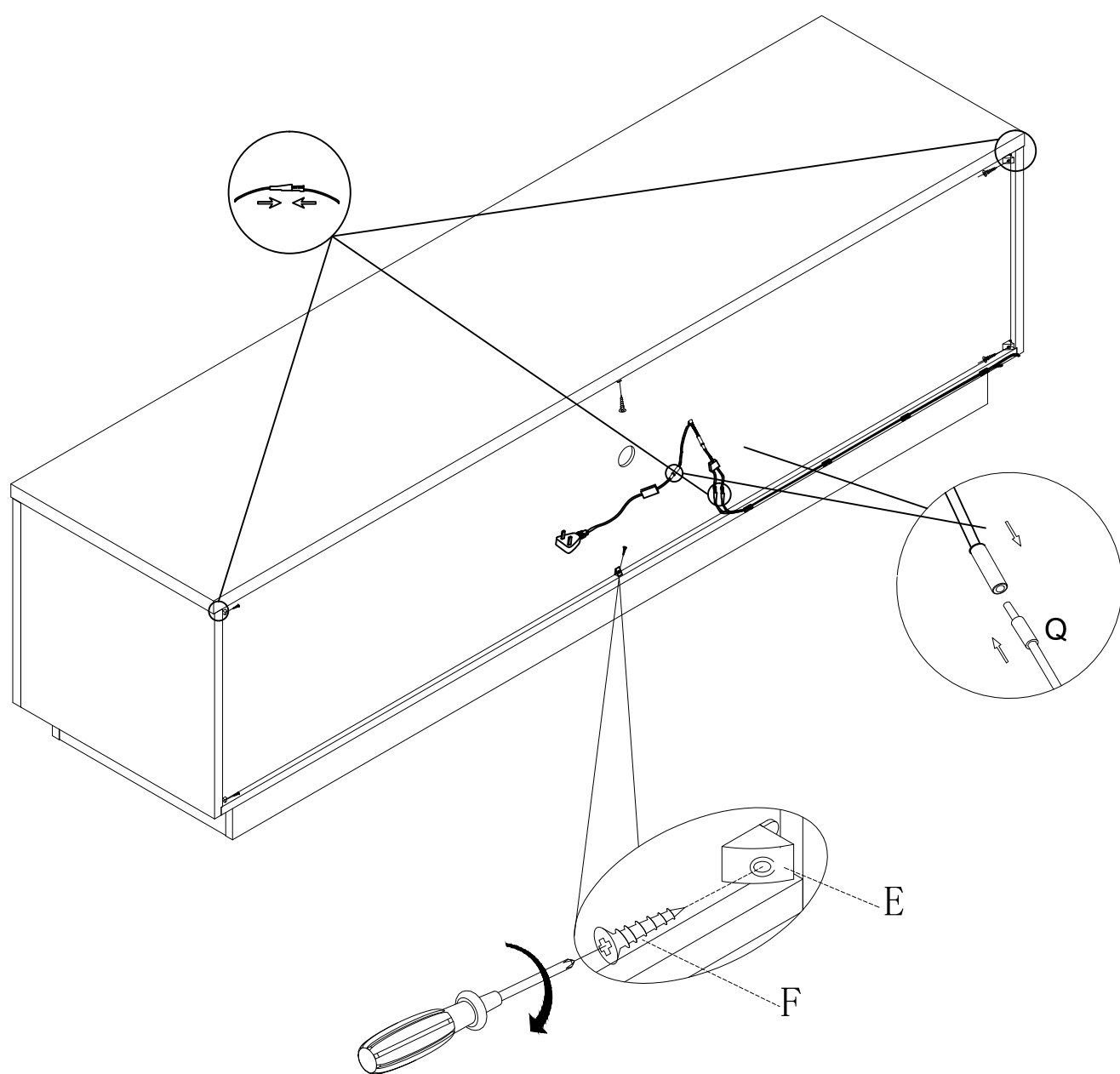


STEP 10: Use Phillips Head Screwdriver to attach the Hinge(N) to Door Panel(C12&C13) with Screw(F), Use Phillips Head Screwdriver to attach the Hinge(N) to LeftSide Panel (C3)&Right Side Panel(C4)with Screw (F). Attached Handle(P) to the Door Panel(C12&C13) with Bolt(M)

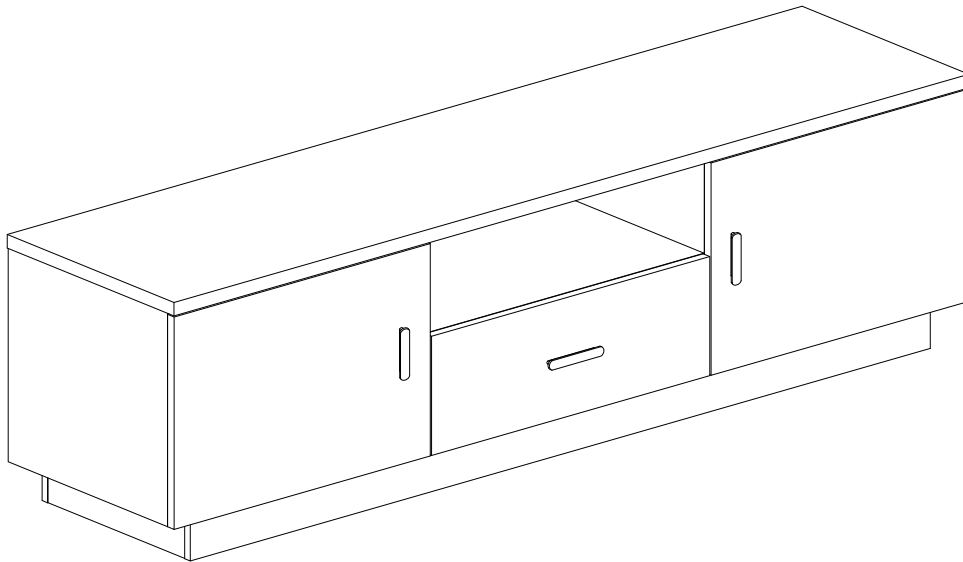


STEP 11:

Use Phillips Head Screwdriver to attach the Connector(E) to back corner with the Screw(F). Connect the wiring for the left and right side panels and the top panel lights. Link the power cord Q and the two-in-one wiring R to the shelf. Connect the two-in-one wiring R to the side panel lights and the bottom panel lights.



Assembly is complete



Note -

Do not drag the furniture as this may cause damage to the legs. Instead, use 2 persons to lift carefully from either end.

SAFETY BRACKETS INSTRUCTIONS

This furniture poses a tipping risk and as such must be secured to a wall using the provided tipping kit.

1. Attach one Mounting Plate to the wall with the Large Screws. Make sure to attach the Mounting Plate into a stud. If mounting into brick or masonry you will need to acquire wall anchors. Please enquire with your local hardware supplier for appropriate fixings.
2. Attach the second Mounting Plate to the furniture frame with the Short Screws.
3. Move the furniture to its final position. Thread a Wall Strap through the both Mounting Plates and tighten until snug. Do not over tighten.
4. Make sure that the Mounting Plates are firmly attached to the wall and furniture and that the Wall Strap is snug.

HARDWARE



Mounting Plate x 2



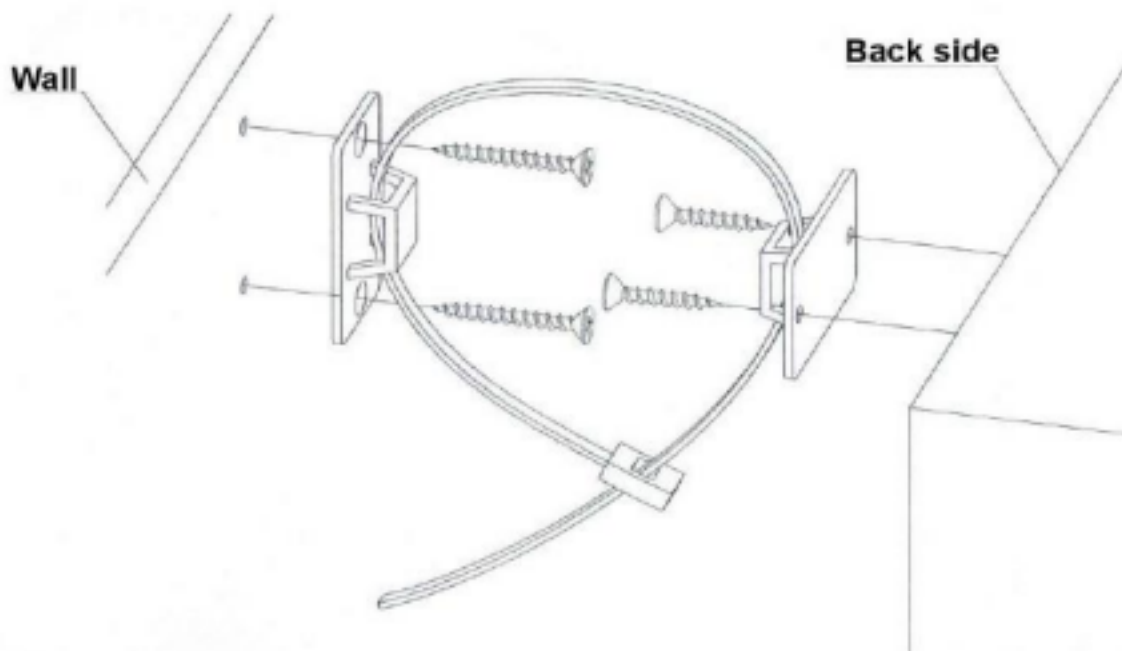
Wall Strap x 1



Large Screw x2



Small Screw x2



General Product Care

To protect your furniture, we suggest the following:

- Avoid placing your furniture in direct sunlight.
- Do not place furniture directly under windows.
- Do not place sharp materials (knife, fork, etc.) directly onto your furniture as sharp material may scrape and damage the finish.
- Do not place material with high temperature directly onto the surface of your furniture.
- Clean up spills quickly. Water left over a prolonged period of time may cause damage. Alcohol, perfume, nail polishes, aftershave and some medication may cause severe finish damage if not cleaned immediately.
- Use a clean, soft, dry, lint free absorbent cloth to clean your furniture. Do not use any detergent as they may contain ingredients that may react and damage the finish.